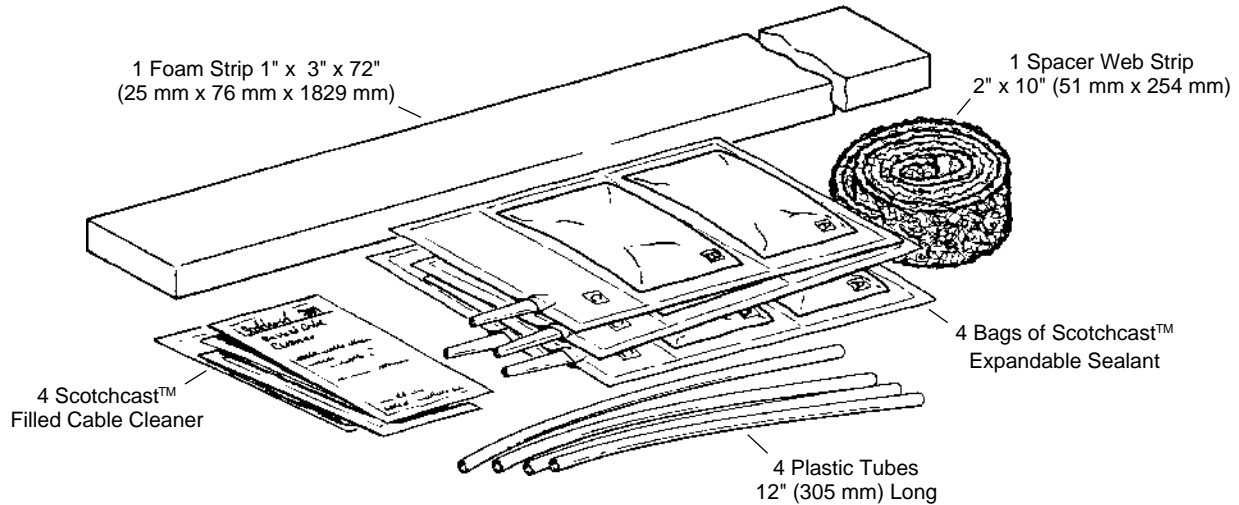

Scotchcast™ 4416 Duct Sealing Kit

1.0 General

1.01 The Scotchcast™ 4416 Duct Sealing Kit prevents water and gas from entering a manhole or C.O. through a cable duct. Each kit contains enough material to plug 4 ducts.

2.0 Kit Contents



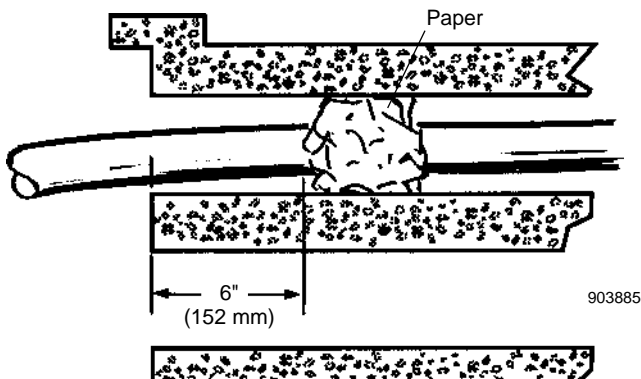
3.0 Cable Duct Sealing Procedure

Note: *If water is flowing through duct, stuff duct with rags or other material to temporarily stop water flow. Water flow must be stopped during the foam cure time to assure proper sealing of the duct.*

3.01 Clean cables and duct with a cleaning pad. Place the pad on the end of a tube to clean hard to reach areas. Do not leave pad in duct. Cable and duct do not have to be wiped dry.

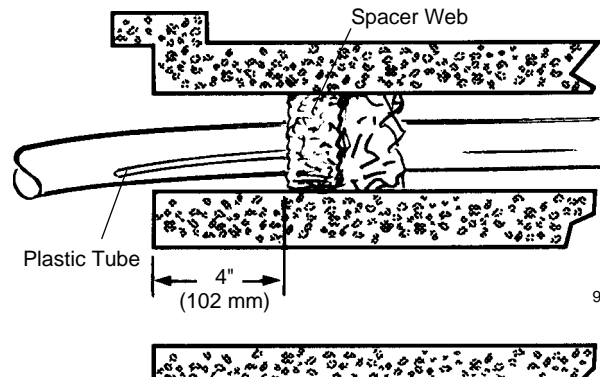
Note: *Carefully follow health and safety information given on Scotchcast Cleaning Pad label or Material Safety Data Sheet.*

3.02 Wrap crumpled paper around cable and push tightly into duct to a depth of 6" (152 mm). This is required to force foam around cable, giving a good seal, and will make it easier to reenter the duct if required in the future.

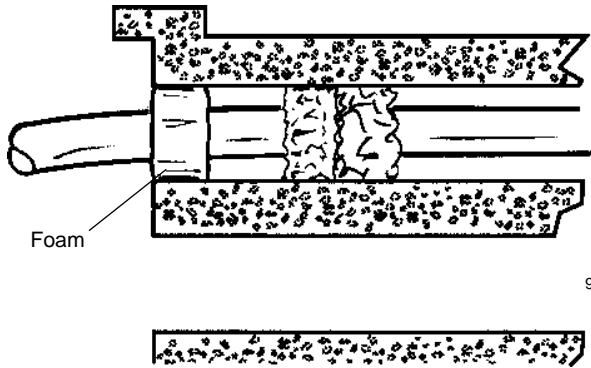


3.03 Wrap spacer web around cable so it is slightly larger (in diameter) than the inside of the duct. Cut off excess length.

3.04 Push spacer web into duct using plastic tube.

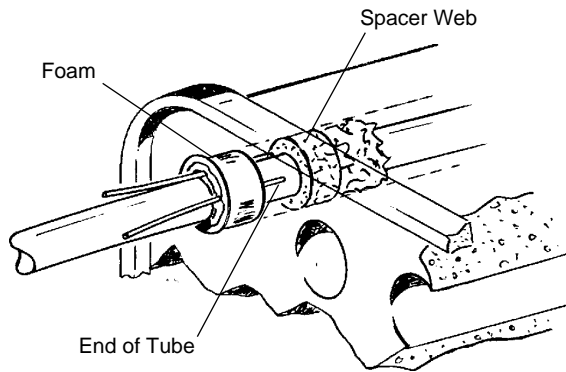


3.05 Wrap foam strip around cable and insert it into duct. The foam strip should be flush with the duct entrance and should fit snugly between the cable and duct.



903885

3.06 Cut one of the 12" (305 mm) plastic tubes in half making two 6" (152 mm) tubes. Insert the 6" tubes within the last wrap of the foam strip. Position one tube at the 12 o'clock position and the other at either the 3 or 9 o'clock position.

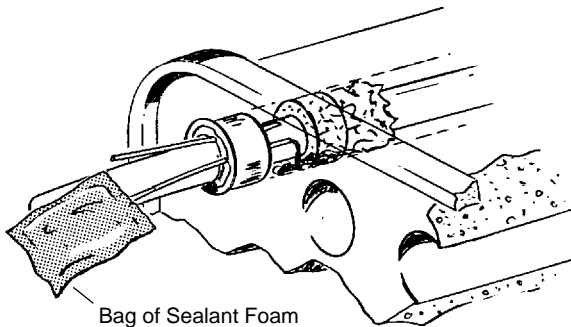


903885

3.07 Mix one bag of sealant foam according to the instructions on the bag.

Note: Carefully follow health, safety and disposal information given on Scotchcast Expandable Sealant label or Material Safety Data Sheet.

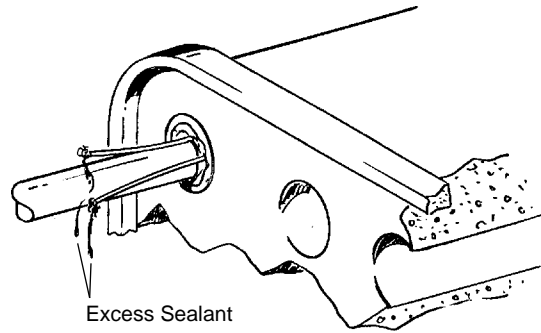
3.08 Insert the nozzle of the bag into end of the tube located at the 3 or 9 o'clock position.



903885

3.09 Squeeze the sealant out of the bag and into the tube.

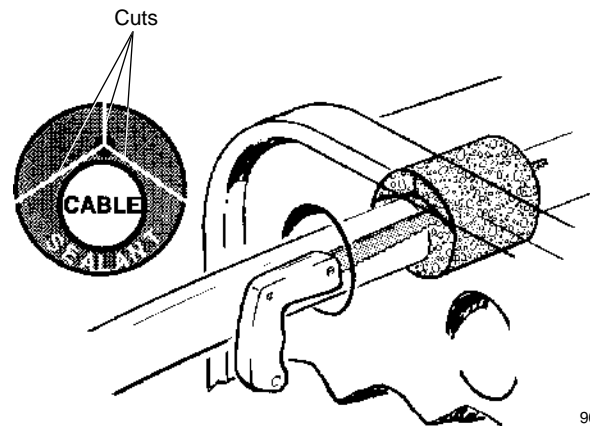
3.10 Leave tubes in duct, and let excess sealant drain out.



903886

Note: Once the compound has been injected, the cable should not be moved for at least one hour.

4.0 Removal of Sealant from Duct



903886

4.01 Remove foam collar.

4.02 Use long screw driver or rod to make hole through sealant.

4.03 Use a key hole saw to make cuts as shown above.

4.04 Use a rod or screw driver to hook pieces of compound and pull them out of the duct.

4.05 When one quadrant of compound is removed from duct, move cable into the void. This will allow better access to remaining compound.

Scotchcast is a registered trademark of 3M

Important Notice

All statements, technical information and recommendations related to the Seller's products are based on information believed to be reliable, but the accuracy or completeness thereof is not guaranteed. Before utilizing the product, the user should determine the suitability of the product for its intended use. The user assumes all risks and liability whatsoever in connection with such use.

Any statements or recommendations of the Seller which are not contained in the Seller's current publications shall have no force or effect unless contained in an agreement signed by an authorized officer of the Seller. The statements contained herein are made in lieu of all warranties, express or implied, including but not limited to the implied warranties of merchantability and fitness for a particular purpose which warranties are hereby expressly disclaimed.

SELLER SHALL NOT BE LIABLE TO THE USER OR ANY OTHER PERSON UNDER ANY LEGAL THEORY, INCLUDING BUT NOT LIMITED TO NEGLIGENCE OR STRICT LIABILITY, FOR ANY INJURY OR FOR ANY DIRECT OR CONSEQUENTIAL DAMAGES SUSTAINED OR INCURRED BY REASON OF THE USE OF ANY OF THE SELLER'S PRODUCTS THAT WERE DEFECTIVE.

34-7031-5494-7

© 1992 3M

Litho in U.S.A.

3M Telecom Systems Group

6801 River Place Blvd.
Austin, TX 78726-9000

