

.050" Mini Ribbon Board to Board

Boardmount Plug, 4 Row, Straight & Right Angle Solder Tail

91100 Series



- Leaf contact wipe
- Four row solder tails
- High temp body
- D shape polarization
- Lower profile
- Metal board retention
- Locator pegs (on straight)

Date Modified: February 19, 1999

TS-0822-01
Sheet 1 of 4

49

Physical

Insulation

Material: Glass Filled Polyester (PCT)
Flammability: UL 94V-0
Color: Beige

Contact

Material: Phosphor Bronze
Plating
Underplate: 100 μ " [2.54 μ m] Nickel — QQ-N-290, Class 2
Wiping Area: 30 μ " [0.76 μ m] Gold — MIL-G-45204, Type II, Grade C
Solder Tails: 100 μ " [2.54 μ m] Tin Lead — MIL-P-81728

Marking: 3M Logo, Orientation Triangle and Date Code

Electrical

Current Rating: .5 A
Insulation Resistance: $> 1 \times 10^9 \Omega$ at 500 Vdc
Withstanding Voltage: 1000 Vrms at Sea Level

Environmental

Temperature Rating: -55°C to 85°C
Process Rating: Maximum 235°C with 90 Seconds over 215°C

UL File No.: E68080

3M Interconnect Solutions Division

6801 River Place Blvd.
Austin, TX 78726-9000

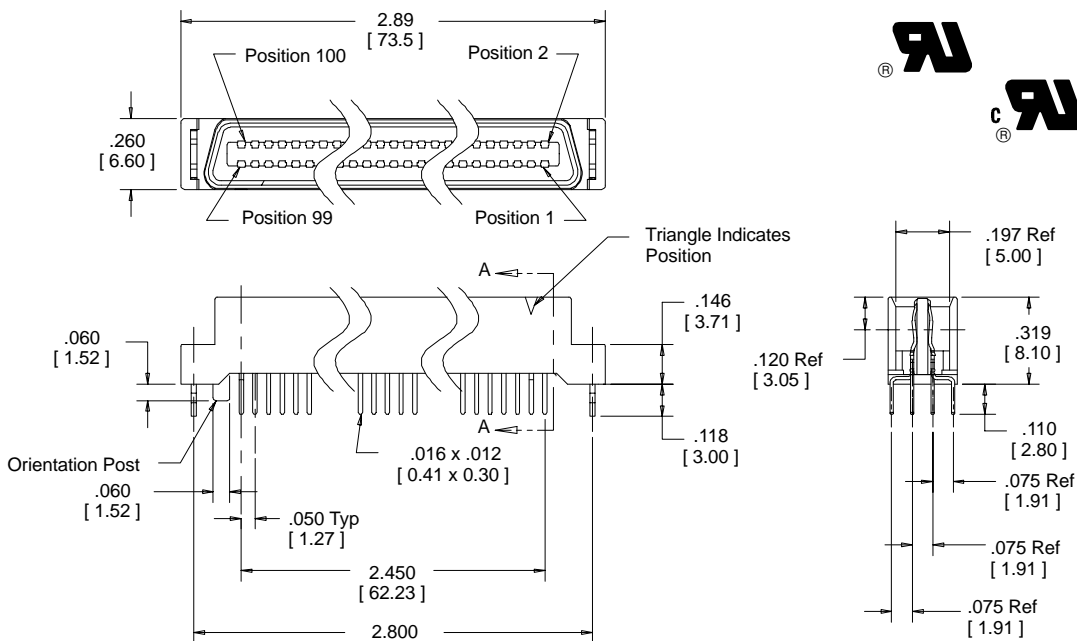
For technical, sales or ordering information call
800-225-5373

.050" Mini Ribbon Board to Board

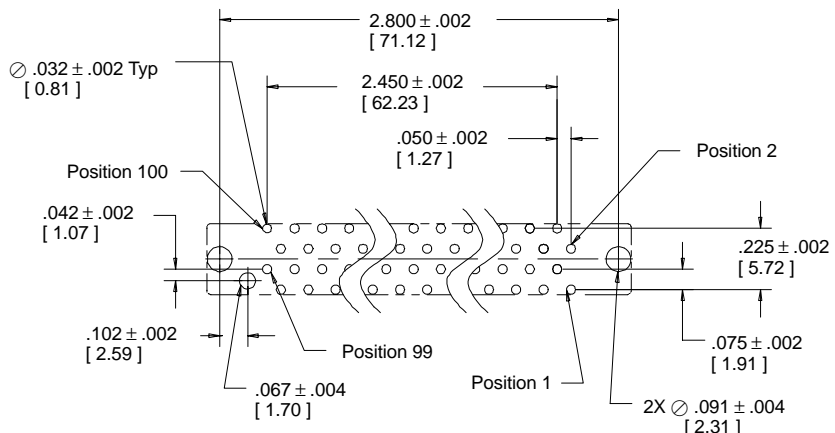
Boardmount Plug, 4 Row, Straight & Right Angle Solder Tail

91100 Series

Straight



Section A-A



Recommended Mounting Hole Pattern
(Viewed from Connector Side)

Inch [mm]			
Tolerance Unless Noted			
	.0	.00	.000
Inch	± .1	± .01	± .005

[] Dimensions for Reference only

Ordering Information

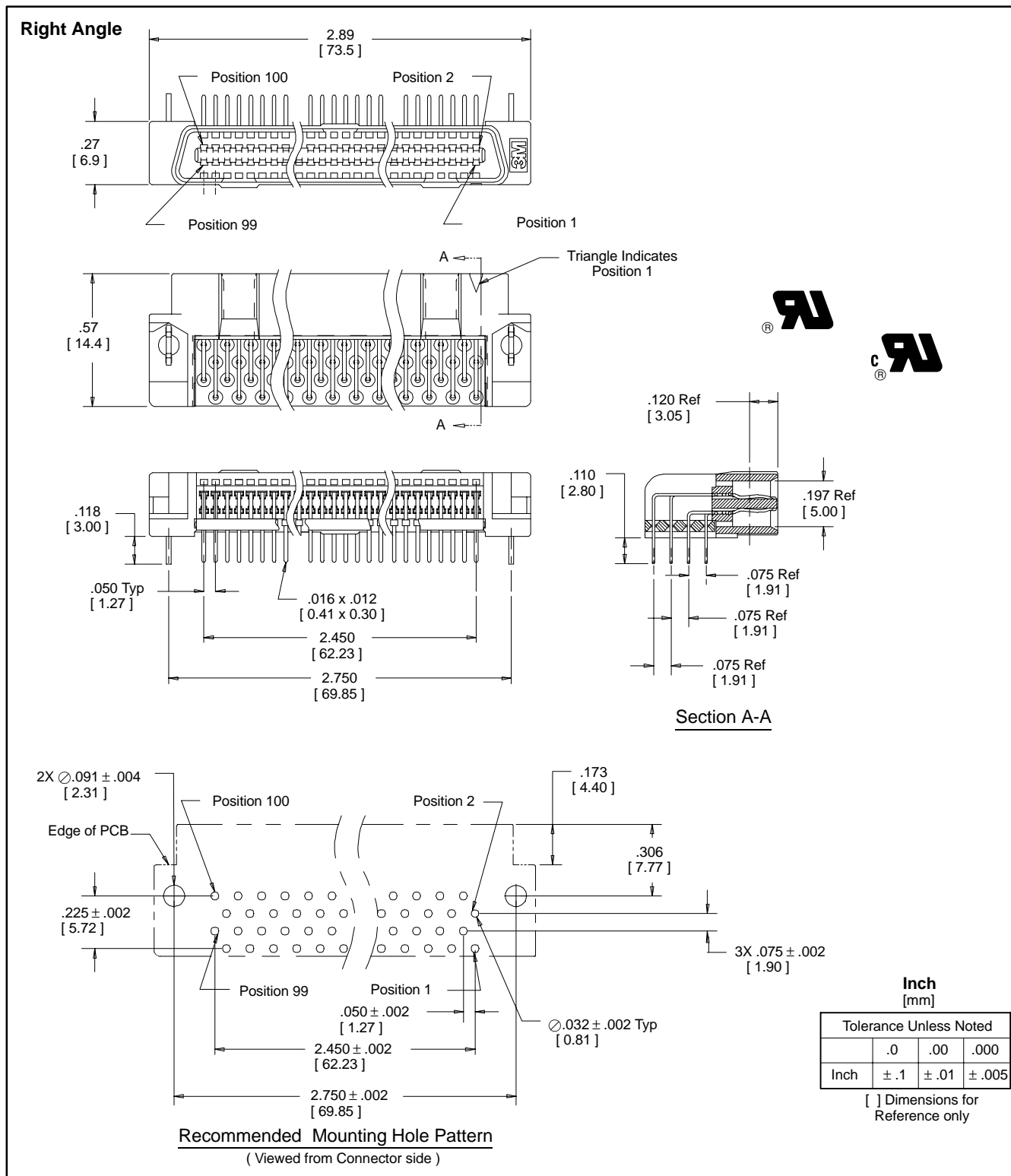
91100-2201BP

TS-0822-01
Sheet 2 of 4

.050" Mini Ribbon Board to Board

Boardmount Plug, 4 Row, Straight & Right Angle Solder Tail

91100 Series



Ordering Information

91100-1201BP

TS-0822-01
Sheet 3 of 4

3M Interconnect Solutions Division

6801 River Place Blvd.
Austin, TX 78726-9000

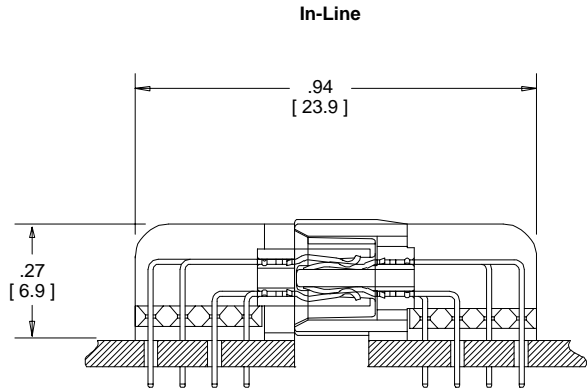
For technical, sales or ordering information call
800-225-5373

.050" Mini Ribbon Board to Board

Boardmount Plug, 4 Row, Straight & Right Angle Solder Tail

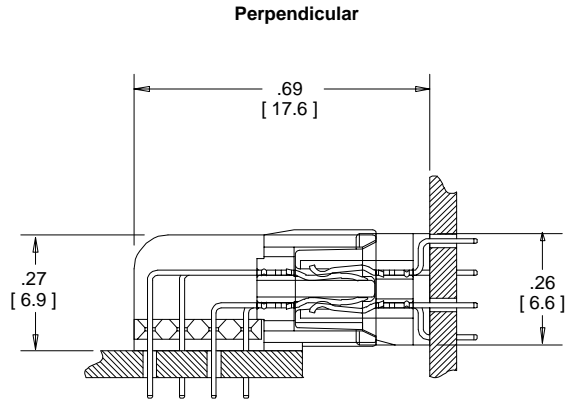
91100 Series

Boardmount Mating Applications



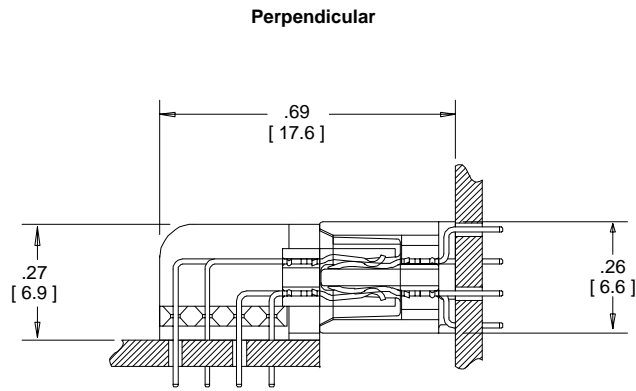
Right Angle Receptacle

Right Angle Plug



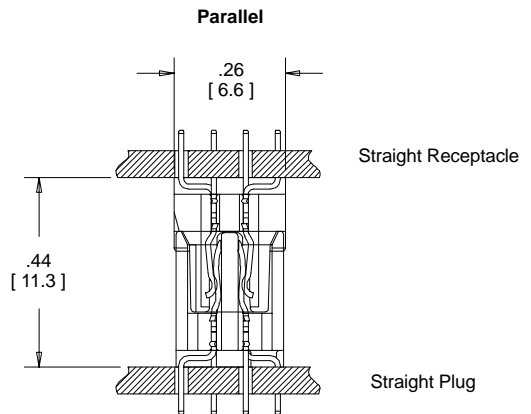
Right Angle Plug

Straight Receptacle



Right Angle Receptacle

Straight Plug



Straight Receptacle

Straight Plug

TS-0822-01
Sheet 4 of 4

3M Interconnect Solutions Division

6801 River Place Blvd.
Austin, TX 78726-9000

For technical, sales or ordering information call
800-225-5373