



# Fire Barrier IC 15WB Sealant



FILL, VOID OR CAVITY MATERIALS FOR USE IN THROUGH-PENETRATION FIRESTOP SYSTEMS. SEE UL DIRECTORY OF PRODUCTS CERTIFIED FOR CANADA AND UL FIRE RESISTANCE DIRECTORY 50L6.

## Product Data

### 1. Product Description

3M™ Fire Barrier IC 15WB Sealant is a latex sealant designed for use as a one-part fire, smoke, noxious gas and water sealant. In addition, the unique intumescent property of this material (expands when heated) means that as the non-combustible pipe, cable or pipe insulation is consumed by fire, sealant expands to maintain the penetration seal.

IC 15WB Sealant features superior adhesion strength, sealant rate and no-sag application with UL Classified fire protection systems plus a halogen-free formula.

3M Fire Barrier IC 15WB Sealant can be installed with a standard caulking gun, pneumatic pumping equipment or it can be easily applied with a putty knife or trowel. Sealant bonds to gypsum wall-board, concrete, metals, wood and cable jacketing. No mixing is required. Tool within 5 minutes of application, if required.

#### 3M Fire Barrier IC 15WB Features

- Water Base: Easy clean up, no special handling, routine disposal.
- Intumescent: Expands when heated to maintain seal around items consumed by fire.
- Endothermic: Absorbs heat energy, releases chemically bound water.

- Thixotropic: Will not sag or run in overhead or vertical applications.
- Halogen-free.
- Fast dry: Tack-free in approximately 8 to 12 minutes @ 73°F (23°C).
- Paintable. Best results obtained after 72 hour cure.
- Minimal shrinkage.
- Yellow color.
- Water seal: Seals against inadvertent water spills in the unexpanded state.
- High sealant rate: 2000 g/min. with 1/4 in. (6 mm) nozzle.
- Point contact allowed.
- Continuous Operating Temperature not to exceed 120°F (48°C).

### 2. Applications

Use to seal blank openings and penetrating items against the passage of flame, noxious gas, smoke and water. Restores fire rated construction to original integrity.

---

### 3. Physical Properties

Unit	Volume	Units/Ctn.
10.1 fl. oz. (0,29 L) Cartridge	18.2 cu. in. (298 cu. cm)	1
20.0 fl. oz. (0,59 L) Sausage	36.0 cu. in. (591 cu. cm)	1
27.0 fl. oz. (0,79 L) Cartridge	48.7 cu. in. (798 cu. cm)	1
4.5 gallon (17,0 L) pail	1039.0 cu. in. (17034 cu. cm)	1

## 4. Specifications

### Product

The firestopping sealant shall be a one-part, intumescent, latex elastomer. The sealant shall be capable of expanding a minimum of 2 times at 1000F. The material shall be thixotropic and be applicable to overhead, vertical and horizontal firestops. The sealant shall be listed by independent test agencies such as UL, FM or OPL and be tested to, and pass the criteria of, ASTM E 814 Fire Test, tested under positive pressure.

### Typically Specified Divisions

Division 7      Thermal and Moisture Protection  
07840          Firestopping

## 5. Performance

### A. Typical Physical Properties

Tack Free Time (ASTM C679-87):	8 to 12 minutes @73°F (23°C)
Expansion at 662° F (350°C):	2.0
Color:	Yellow
Density:	12.0 lb./gal. (1,43 kg/L)
Adhesion:	Very good on all construction substrates
Application:	Caulk guns, trowel, spatula, pressurized pumps
Durometer (hardness) Shore A:	70
Solids:	80% by weight
VOC:	0
Odor:	Pleasant non-irritating
Flow Rate:	2000 grams/min. from 1/4 in. (6,35 mm) nozzle at 50 psi
ASTM E 84: Flame Spread:	0
Smoke Development:	0
Boeing Flow (Sag Characteristics):	<2 in. (5,08 cm)

### B. Firestopping Properties

Meets the criteria of ASTM E 814 Fire Test, tested under positive pressure. Consult current UL Fire Resistance Directory for systems listed under 3M Product Caulk.

## 6. Installation Techniques

Shown are examples of approved applications of IC 15WB Sealant. Additional drawings and details are available through your Authorized 3M Fire Protection Products Distributor.

### Installation Notes:

1. Metal Pipe/Conduit applications through nominal 10.75 in. (273,0 mm) outside diameter.

- Installed depth of IC 15WB Sealant 1/2 in. (12,7 mm).
- Refer to appropriate system for annular space requirement.
- Minimum 4 pcf mineral wool for backing.

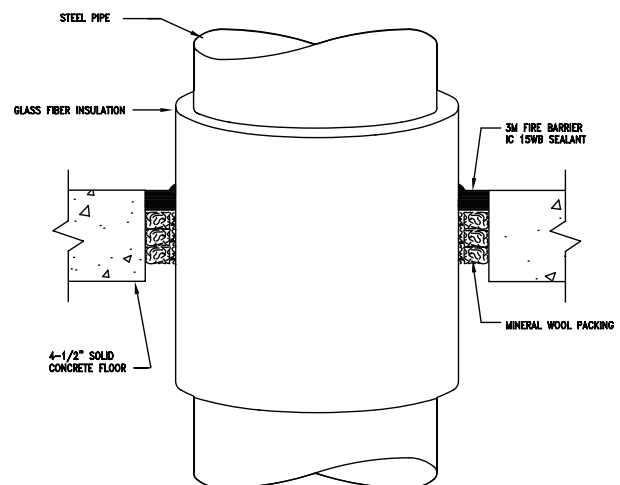
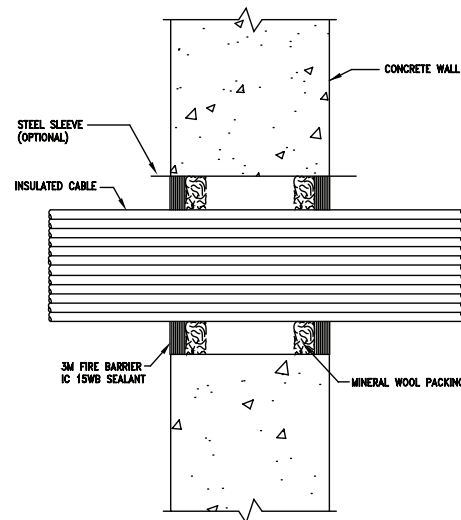
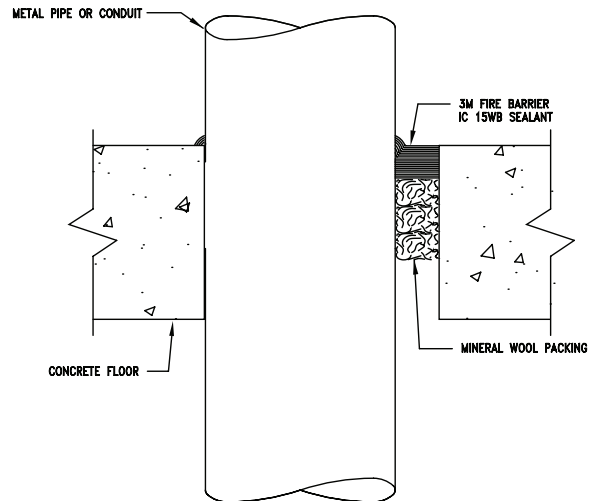
2. Insulated Cable Applications

- A 1/2 in. (12,7 mm) minimum depth of IC 15WB Sealant.
- All cases require mineral wool (safing) for packing.

3. Fiberglass Insulated Pipe Applications

- Refer to appropriate system for insulation thicknesses, annular space, mineral wool and sealant application.

## Typical Penetration Firestops For Metal Pipe/Conduit and Insulated Cable Through Fire Rated Construction



## 7. Maintenance

3M Fire Barrier IC 15WB Sealant is stable under normal storage conditions and has a one year shelf life. Normal stock and stock rotation are recommended.

### **Recommended**

Store between 40°F (4°C) and 90°F (32°C) for maximum shelf life. Keep from freezing during storage.

## 8. Purchase Information

3M Fire Barrier IC 15WB is available from 3M Authorized Fire Protection Distributors. For information on where to buy, go to [www.3m.com/firestop](http://www.3m.com/firestop) or call (800) 328-1687

## 9. Safe Handling Information

**Consult Material Safety Data Sheet prior to handling and disposing of 3M Fire Barrier IC 15WB.**

### **Warranty and Limited Remedy**

This product will be free from defects in material and manufacture for a period of ninety (90) days from date of purchase. **3M MAKES NO OTHER WARRANTIES INCLUDING, BUT NOT LIMITED TO, ANY IMPLIED WARRANTY OF MERCHANTABILITY OR FITNESS FOR A PARTICULAR PURPOSE.** User is responsible for determining whether the 3M product is fit for a particular purpose and suitable for user's method of application. If this 3M product is proved to be defective within the warranty period stated above, your exclusive remedy and 3M's sole obligation shall be, at 3M's option, to replace or repair the 3M product or refund the purchase price of the 3M product.

### **Limitation of Liability**

**Except where prohibited by law, 3M will not be liable for any loss or damage arising from the use of this 3M product, whether direct, indirect, special, incidental or consequential, regardless of the legal theory asserted, including warranty, contract, negligence or strict liability.**



### **Consumer Safety and Light Management**

3M Center 223-2S-24  
St. Paul, MN 55144-1000  
(800) 328-1687  
[www.3m.com/firestop](http://www.3m.com/firestop)

Printed in U.S.A.

© 3M 2003 98-0400-5077-9